



ENIB Co., Ltd.

# WEIR TYPE MANUAL VALVE

## OVERVIEW

WT 밸브는 불소수지만을 사용하여 제작되었으며, 고순도 약액과 Slurry 약액 이송 배관에 최적화하여 설계된 제품입니다.

WT manual valve is made only of fluoropolymer material and is designed to generate optimal performance in handling high-purity chemicals and slurry chemicals.

## FEATURES

1. 고순도의 불소수지 재질로만 제작된 밸브이며, Chemical 적용시 오염 및 부식이 발생하지 않는다.
  2. Valve의 변형방지 및 기밀 향상을 위해 Bonnet 구조의 일체조립으로 접점기밀 유지
  3. 안전장치인 Bonnet Lock, Nut Lock 구성 / 임의의 풀림 방지
1. Made only of high-purity Fluoropolymer material and is designed to generate optimal performance in handling high-purity chemicals.
  2. Bonnet is screwed onto the body (All-in-one assembly) to prevent valve deformation and improve airtightness.
  3. The Bonnet Lock and fitting Nut Lock stabilize and prevent loosening of valve components adding additional safety.

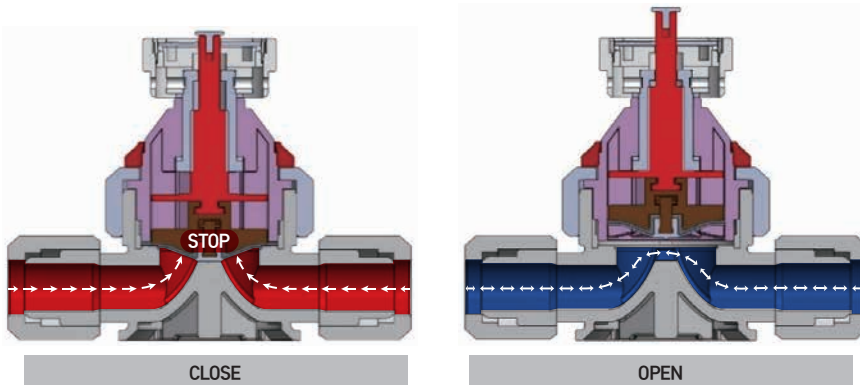


## TECHNICAL DATA

Actuator Type	Manual Handle Operation
Connection Type	ENIB Flare Connection
Configuration	2-Way Flow / Weir
"Operating Temps & Max. Operating Pressure"	0 ~ 60°C ⇒ 7kg/cm <sup>2</sup> (0.7Mpa)
	60 ~ 90°C ⇒ 5kg/cm <sup>2</sup> (0.5Mpa)
	90 ~ 120°C ⇒ 3kg/cm <sup>2</sup> (0.3Mpa)

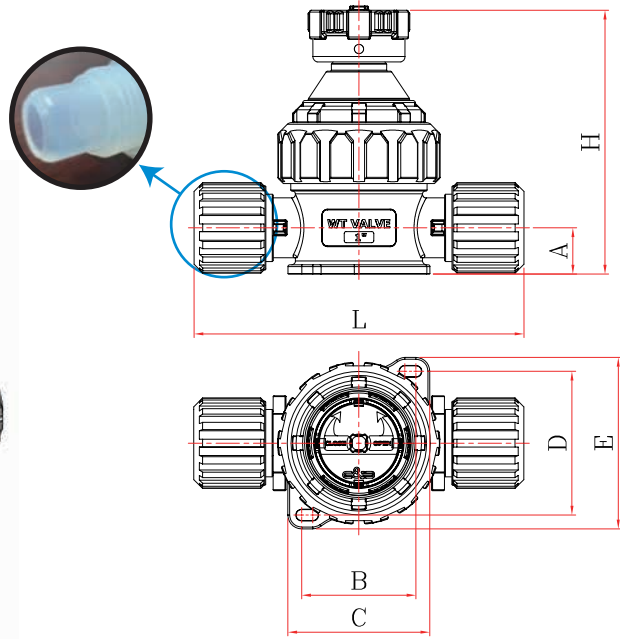
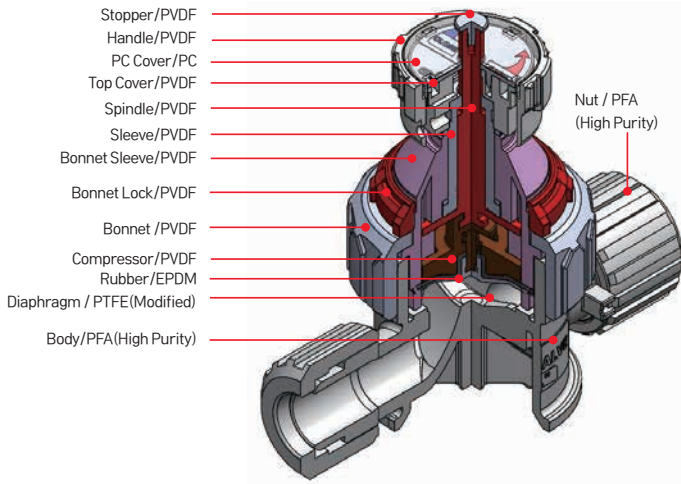
Cv Data	Size	CV
	1/4"	0.39
	3/8"	1.06
	1/2"	2.36
	3/4"	4.84
	1"	10.1

## 2-WAY FLOW PATTERNS



## MATERIAL CONSTRUCTION

<b>Body</b>	High Purity PFA
<b>Diaphragm</b>	Modified PTFE
<b>Other Part</b>	PVDF



Size	A	H	L	B	C	D	E
1/4"	0.53"(13.6mm)	3.77"(95.9mm)	4.48"(114mm)	1.53"(39mm)	1.98"(50.5mm)	1.98"(50.5mm)	2.55"(65mm)
3/8"	0.53"(13.6mm)	3.77"(95.9mm)	4.56"(116mm)	1.53"(39mm)	1.98"(50.5mm)	1.98"(50.5mm)	2.55"(65mm)
1/2"	0.63"(16mm)	4.31"(109.5mm)	5.23"(133mm)	1.81"(46mm)	2.28"(58mm)	2.44"(62mm)	3.03"(77mm)
3/4"	0.74"(19mm)	4.42"(112.5mm)	5.39"(137mm)	1.81"(46mm)	2.28"(58mm)	2.44"(62mm)	3.03"(77mm)
1"	0.98"(25mm)	5.62"(143mm)	7.08"(180mm)	2.44"(62mm)	3.03"(77mm)	3.07"(78mm)	3.66"(93mm)

## HOW TO ORDER

<b>Type</b>	<b>CODE</b>
WEIR TYPE MANUAL VALVE - GCA TYPE	WT-GMV
<b>Connection</b>	<b>CODE</b>
FLARE / FINE THREAD	SF
<b>SIZE</b>	<b>CODE</b>
1/4"	04
3/8"	06
1/2"	08
3/4"	12
1"	16

Example : WT - GMV - SF - 16

<b>WT-GMV</b>	Weir Type Manual Valve - GCA Type
<b>FF</b>	Flare / Fine Thread
<b>16</b>	1"

## “ SMART VALUE OPERATION PRODUCT LINE UP ”

### ENIB(Extrusion & Injection, Basic Co., Ltd) Corporate Mission :

ENIB is to become a key provider of safe, high performance, and advanced technology device and components for fluid management systems and applications that meet or exceed the needs and requirements of global customers.

62, Bansan 2-ro, Munmak-eup, Wonju-si,  
Gangwon-do, Republic of Korea  
Customer Service Tel : +82. 033. 743. 9200  
Customer Fax : +82. 033. 743. 9201  
www.enib.co.kr