



ENIB Co., Ltd.

SMART FITTING

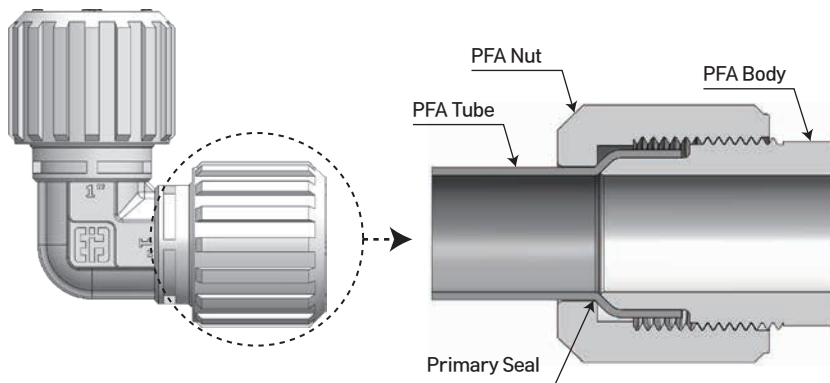
FLARE - FINE THREAD

Smart Fittings

The Smart Fitting is designed to be used in corrosive and high-purity environments. The compact design allows for safe and secure installation in the semiconductor manufacturing environments.

FEATURE

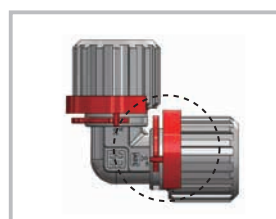
- Fitting body and nut are made of high-purity PFA material.
- Tube connection sizes are available in 1/4", 3/8", 1/2", 3/4", and 1"
- Assembly is simple, and its design prevents over-torquing (fixed torque amount is not necessary).
- The Nut Lock is offered as an option.



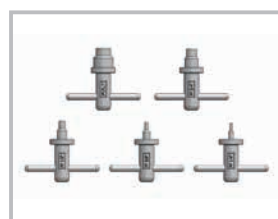
Flare Type Size
1/4" ~ 1"

TECHNICAL DATA

Port Connection	ENIB Flare Connection - Fine Thread
Port Size	1/4", 3/8", 1/2", 3/4", 1"
Operating Pressure (1/4"~1")	0 ~ 90 °C ⇒ 7kg/cm ² (0.7Mpa) 90 ~ 120 °C ⇒ 5kg/cm ² (0.5Mpa)



NUT LOCK DEVICE

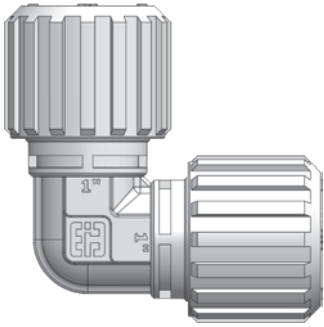


FLARING TOOL

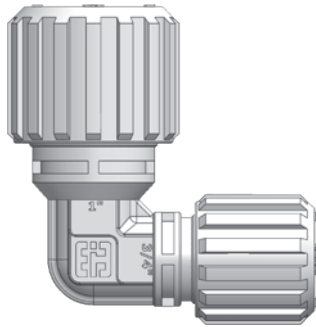


NUT JIG

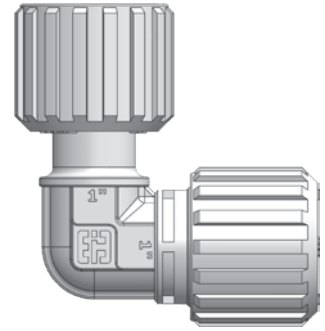
UNION ELBOW



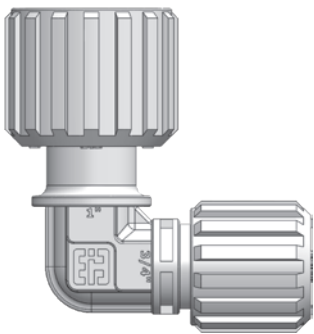
UNION RED ELBOW



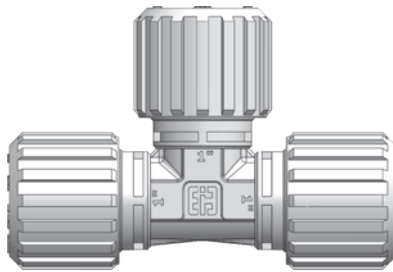
SPACE SAVER UNION ELBOW



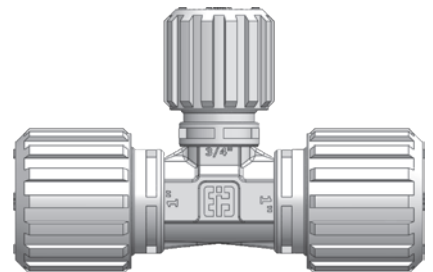
SPACE SAVER UNION RED ELBOW



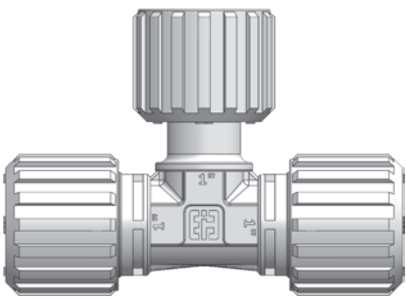
UNION TEE



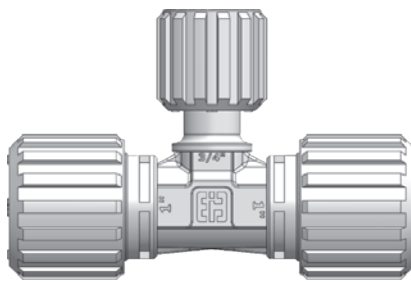
UNION RED TEE



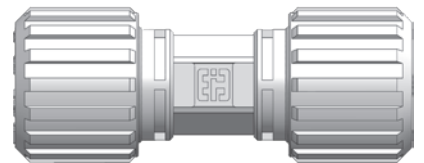
SPACE SAVER UNION TEE



SPACE SAVER UNION RED TEE



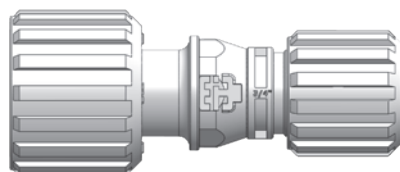
UNION STRAIGHT



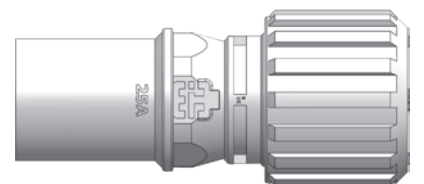
UNION REDUCER



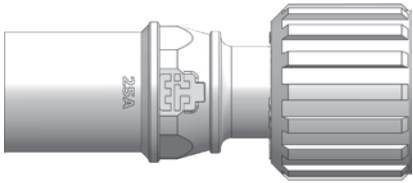
SPACE SAVER UNION REDUCER



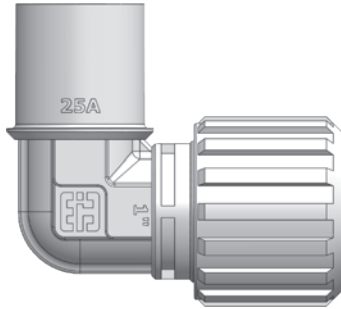
TUBE ADAPTOR



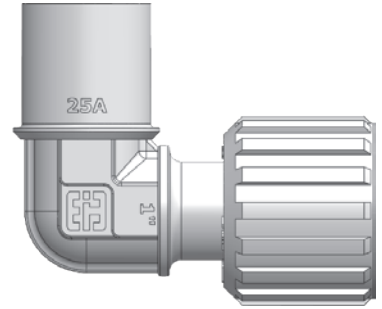
SPACE SAVER ADAPTOR



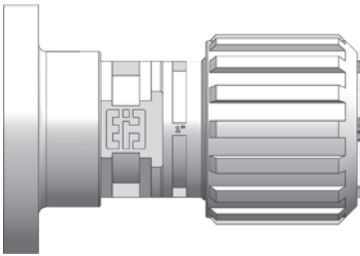
ELBOW TUBE ADAPTOR



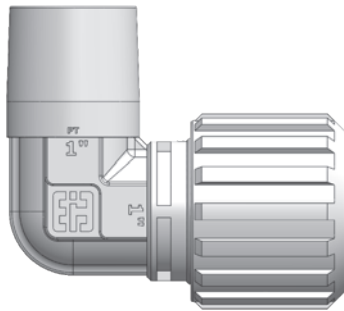
ELBOW TUBE ADAPTOR SAVER



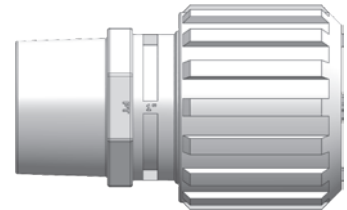
UNION FLANGE ADAPTOR



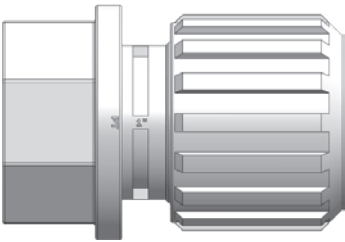
MALE ELBOW CONNECTOR



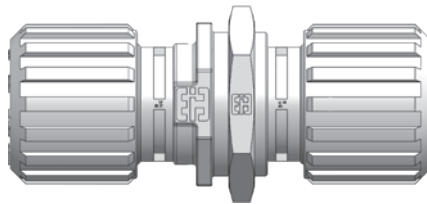
MALE CONNECTOR



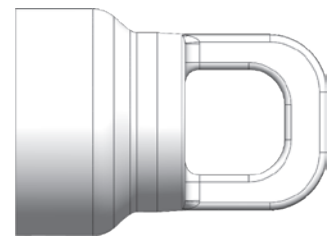
FEMALE CONNECTOR



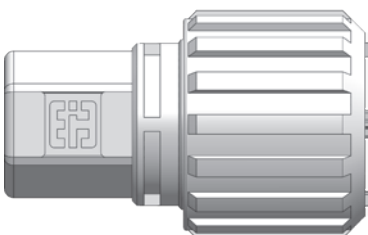
PANNEL MOUNTING UNION



UNION END CAP



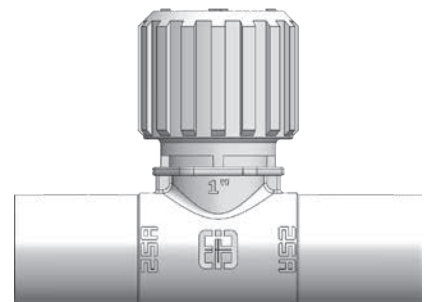
TUBE END CAP



NUT



PIPE TEE ADAPTOR



HOW TO ORDER

Product Name	CODE
SMART FITTING	SF

SIZE	CODE
1/4"	04
3/8"	06
1/2"	08
3/4"	12
1"	16
15A	15
20A	20
25A	25
40A	40
50A	50

Code_Shape	CODE
UNION ELBOW	UE
UNION RED ELBOW	URE
SPACE SAVER UNION ELBOW	SSUE
SPACE SAVER UNION RED ELBOW	SSURE
UNION TEE	UT
UNION RED TEE	URT
SPACE SAVER UNION TEE	SSUT
SPACE SAVER UNION RED TEE	SSURT
UNION STRAIGHT	US
UNION REDUCER	UR
SPACE SAVER UNION REDUCER	SSUR
TUBE ADAPTOR	TA
SPACE SAVER ADAPTOR	SSA
ELBOW TUBE ADAPTOR	ETA
ELBOW TUBE ADAPTOR SAVER	ETAS
UNION FLANGE ADAPTOR	UFA
MALE ELBOW CONNECTOR	MEC
MALE CONNECTOR	MC
FEMALE CONNECTOR	FMC
PANNEL MOUNTING UNION	PMU
UNION END CAP	UCAP
TUBE END CAP	TCAP
NUT	NUT
PIPE TEE ADAPTOR	PTA

Example : SF-UT-08

SF	SMART FITTING
UT	UNION TEE
08	1/2"

Example : SF-PTA-250825

SF	SMART FITTING
PTA	PIPE TEE ADAPTOR
250825	25Ax1/2"X25A

“ SMART VALUE OPERATION PRODUCT LINE UP ”

ENIB (Extrusion & Injection, Basic Co., Ltd) Corporate Mission :

ENIB is to become a key provider of safe, high performance, and advanced technology device and components for fluid management systems and applications that meet or exceed the needs and requirements of global customers.

62, BANSAN 2-RO, MUNMAK-EUP, WONJU-SI,
GANGWON-DO, REPUBLIC OF KOREA
Customer Service Tel : +82 033-743-9200
Customer Fax : +82 033-743-9201
www.enib.co.kr