



ENIB Co., Ltd.

# GCA PNEUMATIC VALVE

GENERAL CHEMICAL APPLICATION- FERRULE CONNECTION TYPE-HIGH FLOW

## OVERVIEW

GCA Pneumatic valve's all wetted parts are made of PFA material, and the valve is designed to generate optimal performance in handling high-purity chemicals

## FEATURES

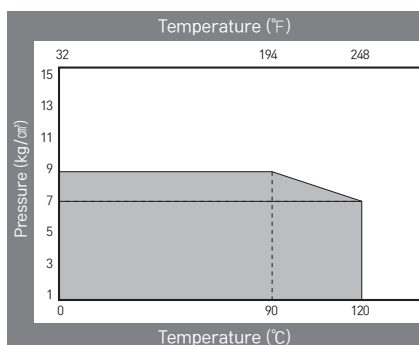
1. Made only of high-purity Fluoropolymer material and is designed to generate optimal performance in handling high-purity chemicals.
2. Bonnet is screwed onto the body (All-in-one assembly) to prevent valve deformation and improve airtightness.
3. The Bonnet Lock and fitting Nut Lock stabilize and prevent loosening of valve components adding additional safety.
4. Visually identifiable on and off indicator for precise valve operation.

## TECHNICAL DATA

Actuator Type	Pneumatic Air Operation
Connection Type	ENIB Ferrule Connection
Configuration	2-Way Flow / Orifice
Air Port	1/8"PT (Female)
Supply Pressure	Minimum 6 ~ Maximum 7kg/cm <sup>2</sup> (86 ~ 100 psi)

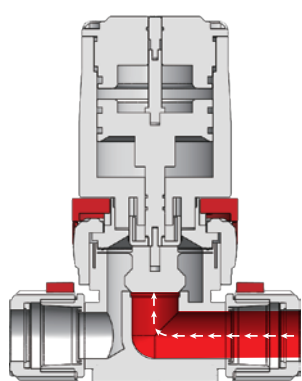
Model Number	Size	Orifice	Cv	Port Configuration
GPV-FR-24	1-1/2"	33.7	20.7	1-1/2" Ferrule Connection
GPV-FR-32	2"	46	40.25	2" Ferrule Connection

Operating Temperature	Operating Pressure
0 ~ 90 °C	9kg/cm <sup>2</sup> (0.9Mpa)
90 ~ 120 °C	7kg/cm <sup>2</sup> (0.7Mpa)

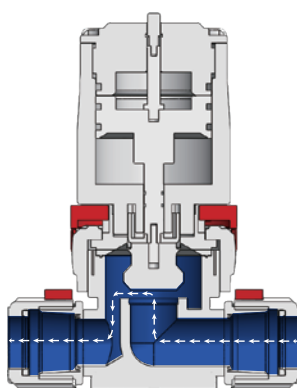


High Flow Ferrule Type Size  
1-1/2", 2"

## 2-WAY FLOW PATTERNS

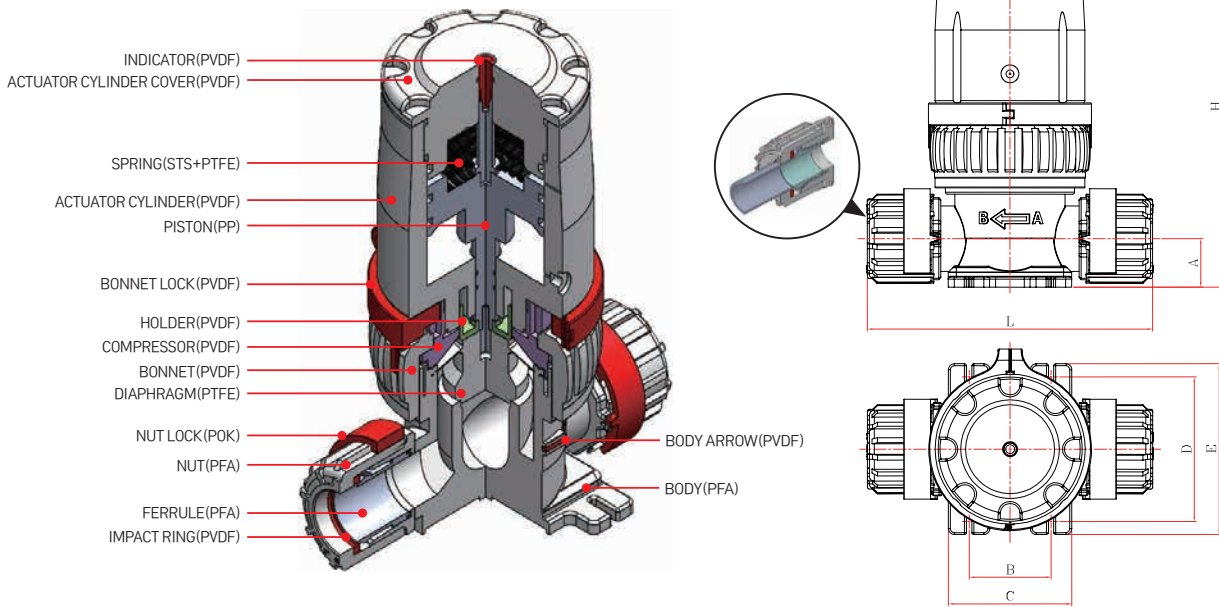


CLOSE



OPEN

## MATERIAL CONSTRUCTION & DIMENSION TABLE



Size	A	H	L	B	C	D	E
1-1/2"	1.57"(40mm)	10.06"(255.5mm)	8.70"(221mm)	3.11"(79mm)	3.74"(95mm)	4.23"(107.5mm)	5.00"(127mm)
2"	1.93"(49mm)	14.43"(366.5mm)	11.38"(289mm)	3.27"(83mm)	4.92"(125mm)	5.89"(149.5mm)	6.81"(173mm)

## HOW TO ORDER

Type	CODE
GCA PNEUMATIC VALVE Normally Close Type	GPV

Connection	CODE
FERRULE	FR

SIZE	CODE
1-1/2"	24
2"	32

Example : GPV-FR-24

GPV	GCA PNEUMATIC VALVE Normally Close Type
FR	FERRULE
20	1-1/2"

## “ SMART VALUE OPERATION PRODUCT LINE UP ”

### ENIB (Extrusion & Injection, Basic Co., Ltd) Corporate Mission :

ENIB is to become a key provider of safe, high performance, and advanced technology device and components for fluid management systems and applications that meet or exceed the needs and requirements of global customers.

62, BANSAN 2-RO, MUNMAK-EUP, WONJU-SI,  
GANGWON-DO, REPUBLIC OF KOREA  
Customer Service Tel : +82 033-743-9200  
Customer Fax : +82 033-743-9201  
www.enib.co.kr